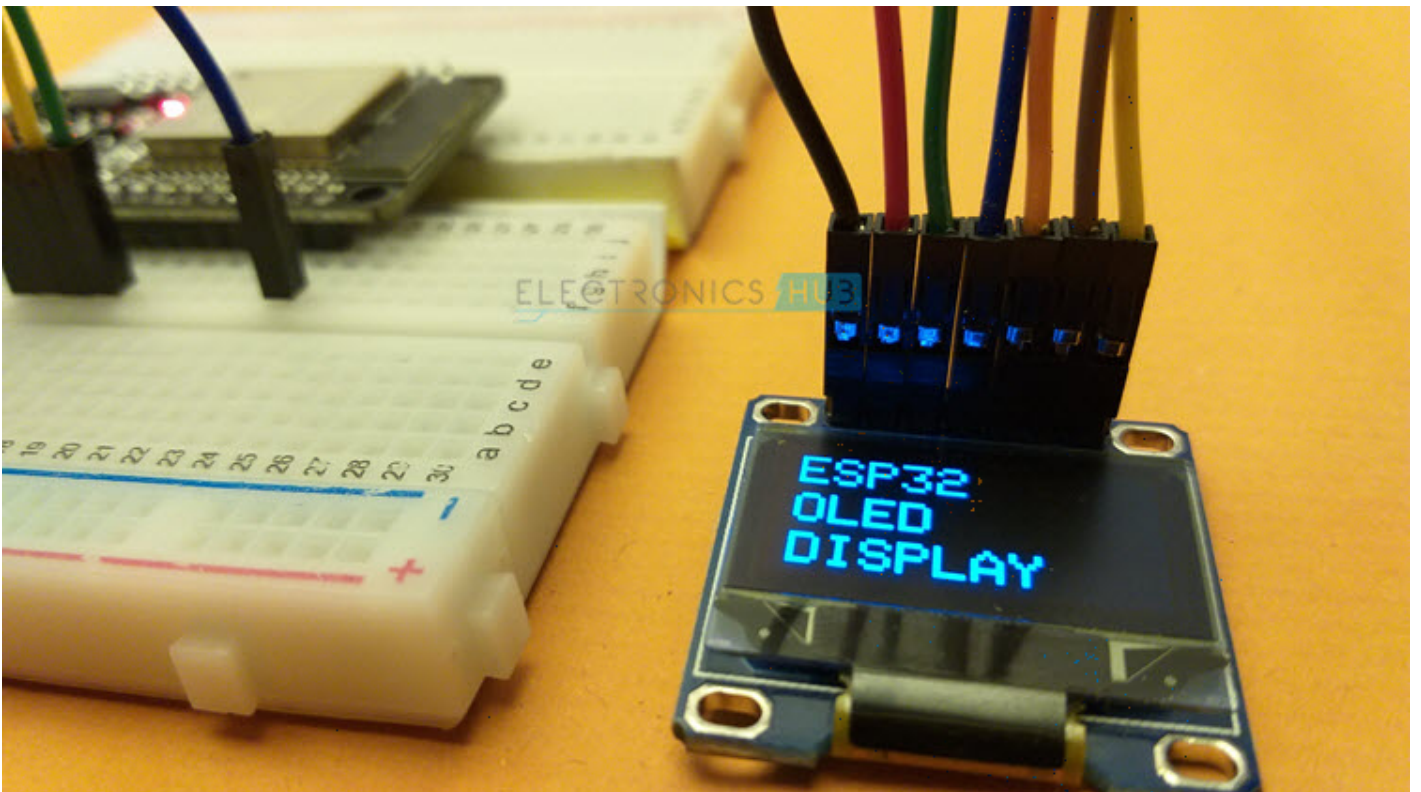


Если вы видите что-то необычное, просто сообщите мне.

??? ?????????????????????? ? OLED ?????????? ? ?????????? ESP32? ESP32 OLED Display ???????????????

In this tutorial, we will learn how to interface an OLED Display Module with ESP32 Development Board. The OLED Graphic Display used in this project is based on SSD1306 OLED Driver IC and communicates over SPI. Use ESP32 with OLED to display Text, Bitmap Images, Graphics etc., in your DIY project.



SPI-OLED-Display-ESP32-1

Outline

OLED Display

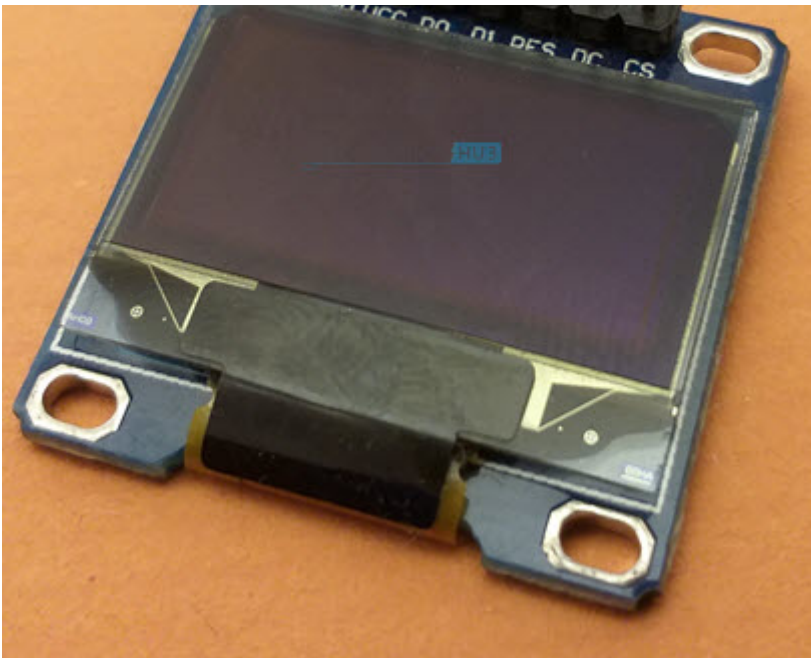
OLED or Organic Light Emitting Diode is an advance display technology which uses a film of organic compound between two electrodes (anode and cathode) and when voltage is applied across the electrodes, the organic film emits light.

The main advantage of an OLED Display is that it emits its own light and doesn't need another source of backlight. Due to this, OLED Displays often have better contrast, brightness and viewing angles when compared to LCD displays.

Another important feature of OLED Displays is deep black levels. Since each pixel emits its own light in an OLED Display, to produce black color, the individual pixel can be turned OFF.

A Brief Note on SSD1306 OLED Display

Do you want to use an OLED Display in your DIY Project? Do you want to display important information like IP Address, Web Server Address etc., on a display? Then the SSD1306 OLED Display Module is the perfect option.



SPI-OLED-Display-Module

This display module consists of a Monochrome OLED Display with a resolution of 128 pixels by 64 pixels. It measures 0.96" diagonally. This OLED Display is using the SSD1306 OLED Driver IC.

SSD1306 OLED Displays have three types of communication interfaces:

- 8-bit 6800 Parallel Interface
- 3 or 4 wire SPI
- I2C Of these, the I2C and SPI type OLEDs are very common. It is possible of change the configuration from SPI to I2C and vice-versa (you have solder / de-solder some SMD

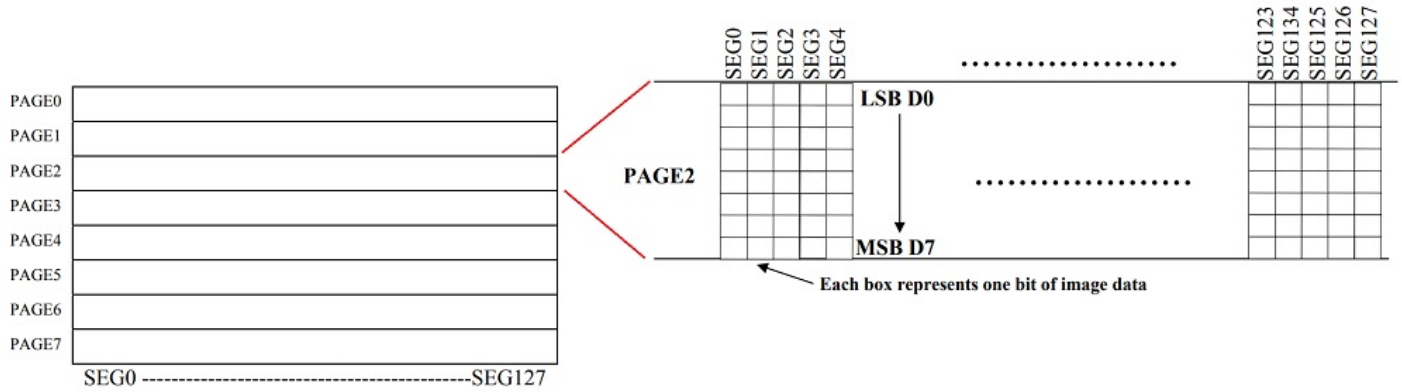


ation.

SPI-OLED-Display-Module-Front-

The SSD1306 OLED Driver IC has 128 x 64 bits Graphic Display Data RAM (GDDRAM). It is divided into eight pages (PAGE 0 to PAGE 7) and each page has 128 Segments. Again, each segment consists of 8-bits and each bit represents one pixel of the display.

So, 8 Pages * 128 Segments * 8 Bits = 8192 Bits (1024 Bytes).

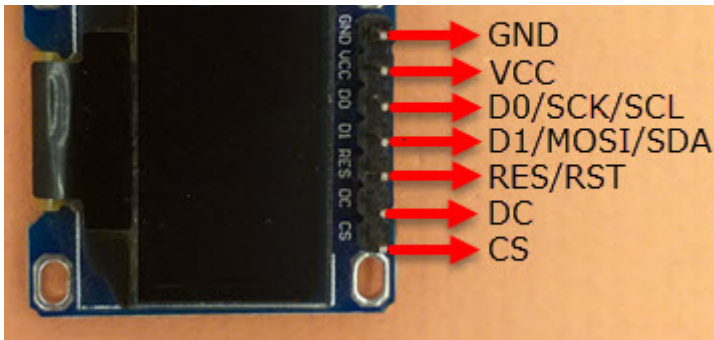


SSD1306-RAM

Pinout of OLED Display Module

The following table shows the Pinout of 7-pin SPI based OLED Display Module.

Pin (Alternative Names)	Description
GND	Ground
VCC	Power Supply
D0 (SCK, SCL, CLK)	Clock
D1 (MOSI, SDA)	Data
RES (RST)	Reset
DC (A0)	Data / Command Selection
CS	Chip Select



SPI-OLED-Display-Pinout

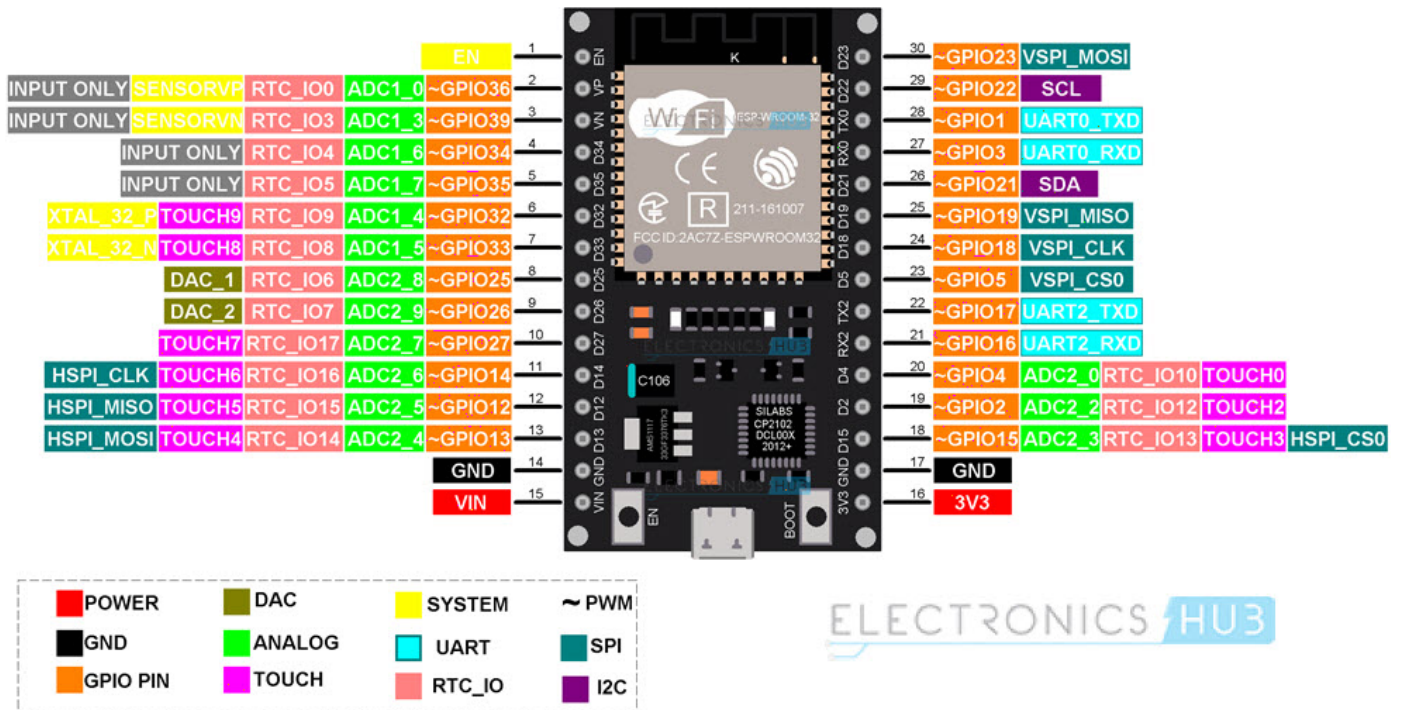
Power Supply

The SSD1306 OLED Driver IC runs on $VDD = 1.65V$ to $3.3V$ and the actual OLED Panel runs on $VCC = 7V$ to $15V$. The OLED Display Module takes care of these wide ranges of voltage requirements with a charge pump circuit (for Panel) and regulator (for Driver IC) from a single power supply (usually between $3V$ and $5V$).

This makes the OLED Display Module to be connected to different boards like Arduino (with $5V$ logic) and ESP32 (with $3.3V$ logic).

ESP32 OLED Display Interface

Let us now see how to interface an OLED Display with ESP32. First thing to understand is that the communication interface is SPI. So, look at the Pinout of ESP32 and identify the SPI Pins.



ESP32-Pinout

From the above image, HSPI and VSPI are available on ESP32 Development Board for SPI Interface. Let us use the VSPI peripheral. The pins for VSPI in ESP32 are:

| VSPI Pin | GPIO Pin | | VSPI_MOSI | GPIO 23 | | VSPI_MISO | GPIO 19 | | VSPI_CLK | GPIO 18 | | VSPI_CS | GPIO 5 |

NOTE: ESP32 has totally 4 SPI Peripherals. (SPI0, SPI1, HSPI and VSPI). SPI0 is dedicated to SPI Flash IC. SPI1 shares the hardware with SPI0. This leaves HSPI and VSPI for interfacing SPI Devices.

The following table shows the connections between ESP32 and OLED Display Module. In total, we have to make seven connections as this is an SPI OLED Display.

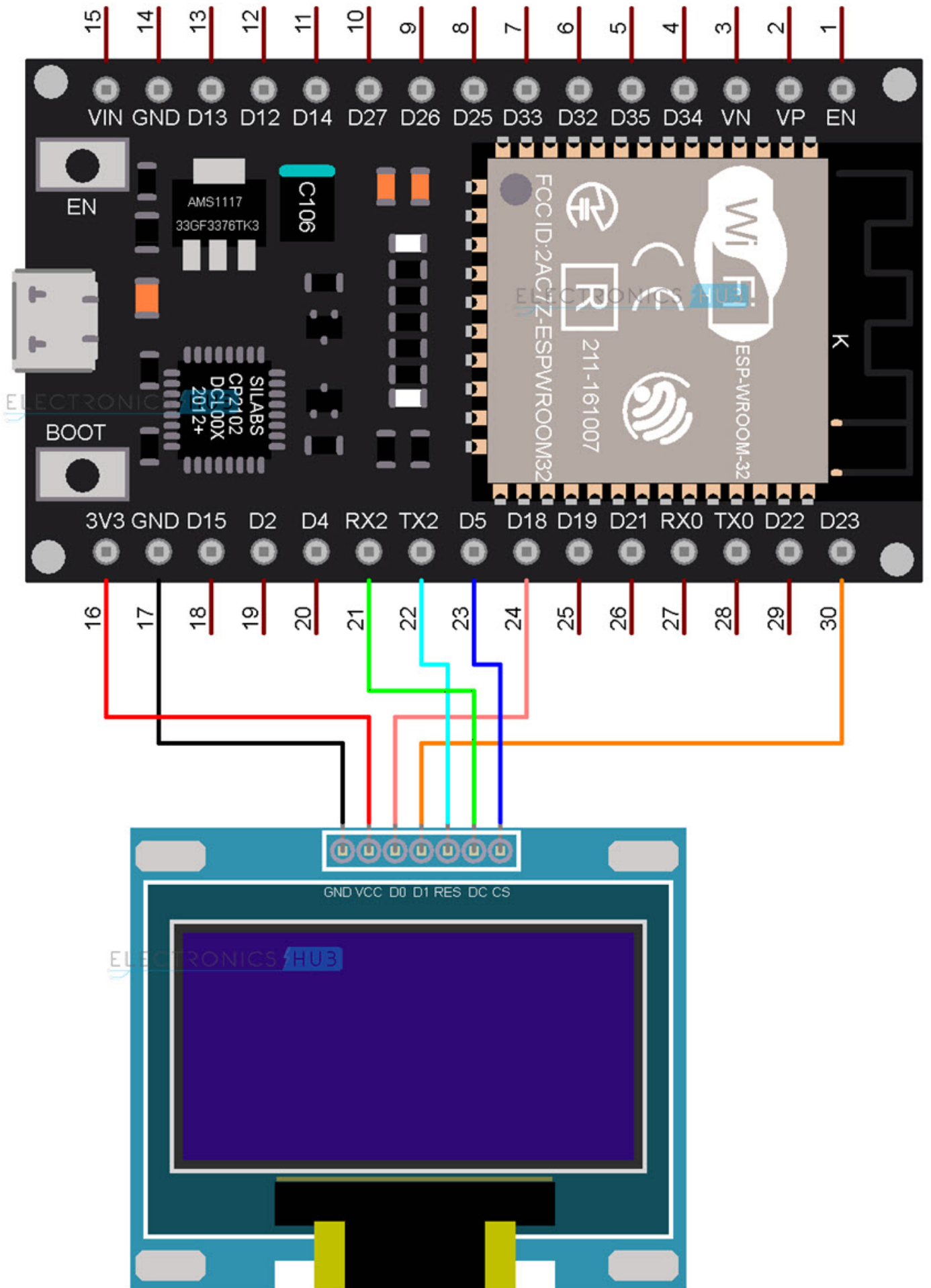
| OLED Display | ESP32 | | GND | GND | | VCC | 3.3V | | D0 (SCK) | GPIO 18 | | D1 (MOSI) | GPIO 23 | | RES | GPIO 17 | | DC | GPIO 16 | | CS | GPIO 5 |

Components Required ESP32-OLED-Display-Circuit-Diagram

- ESP32 DevKit Development Board
- OLED Display Module
- Breadboard
- Connecting Wires
- Micro USB Cable

Circuit Diagram

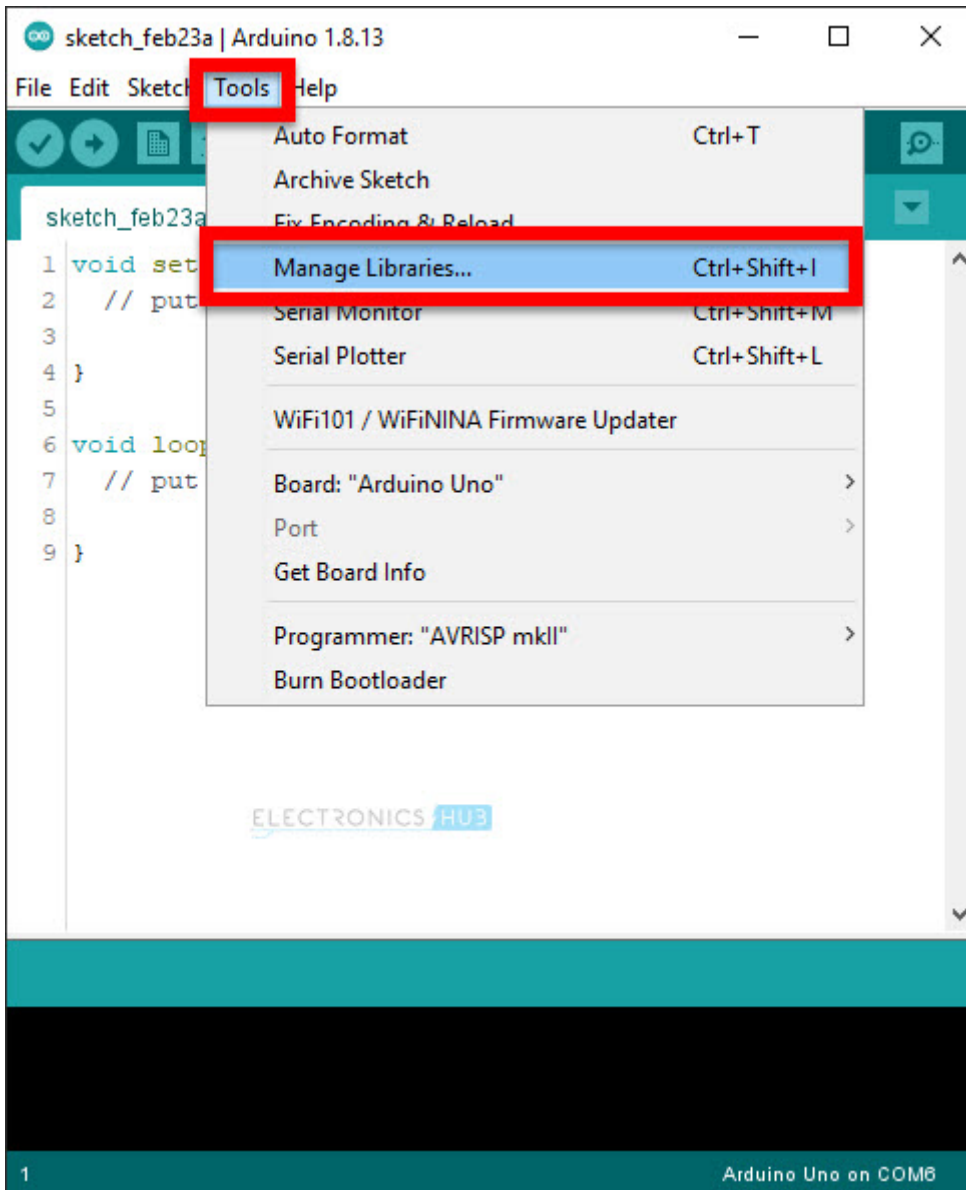
The following image shows the circuit diagram for Interfacing SPI OLED Display with ESP32.



ESP32-OLED-Display-Circuit-Diagram

Preparing Arduino IDE

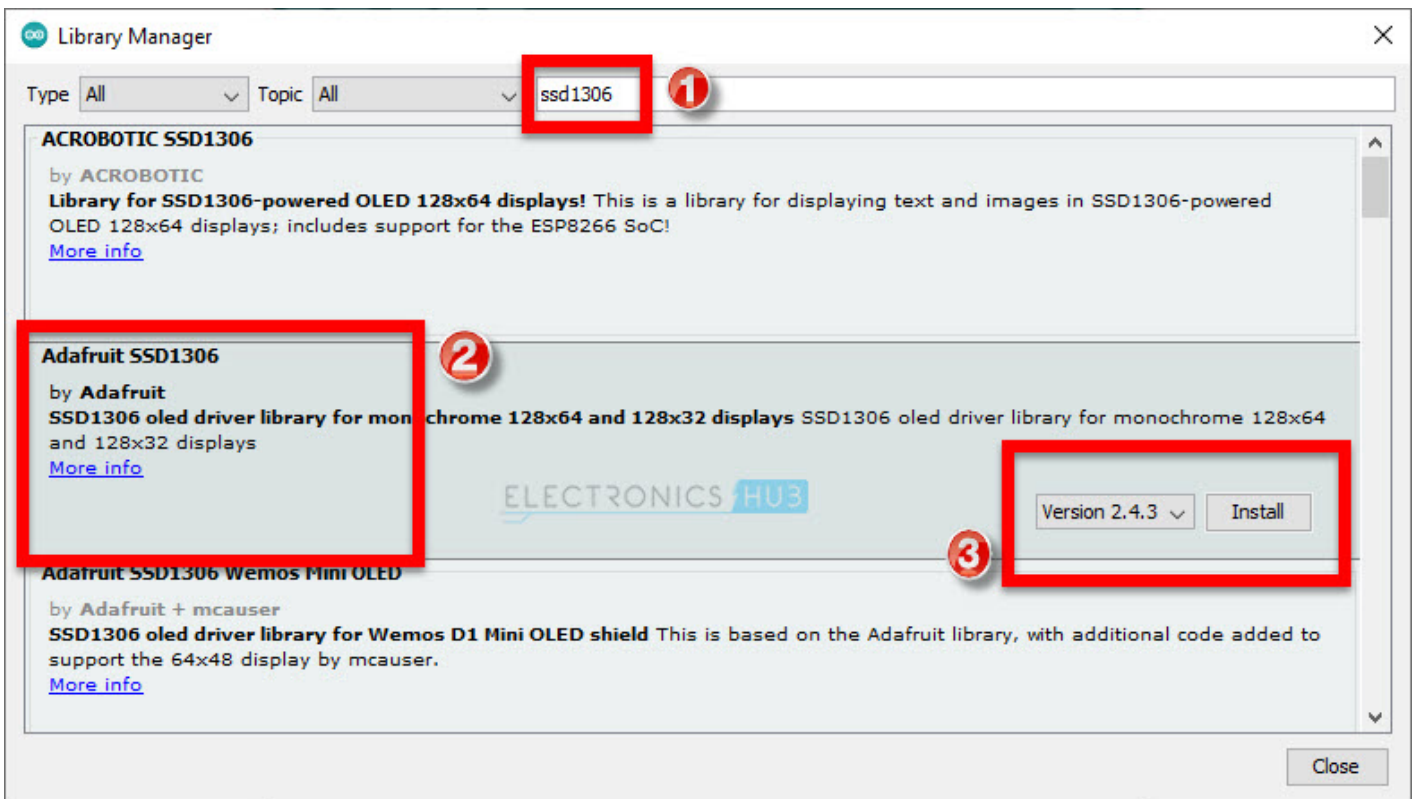
Before writing the code, you need to download some libraries for Arduino IDE related to SSD1306



IDE. You can check out that libraries. . .

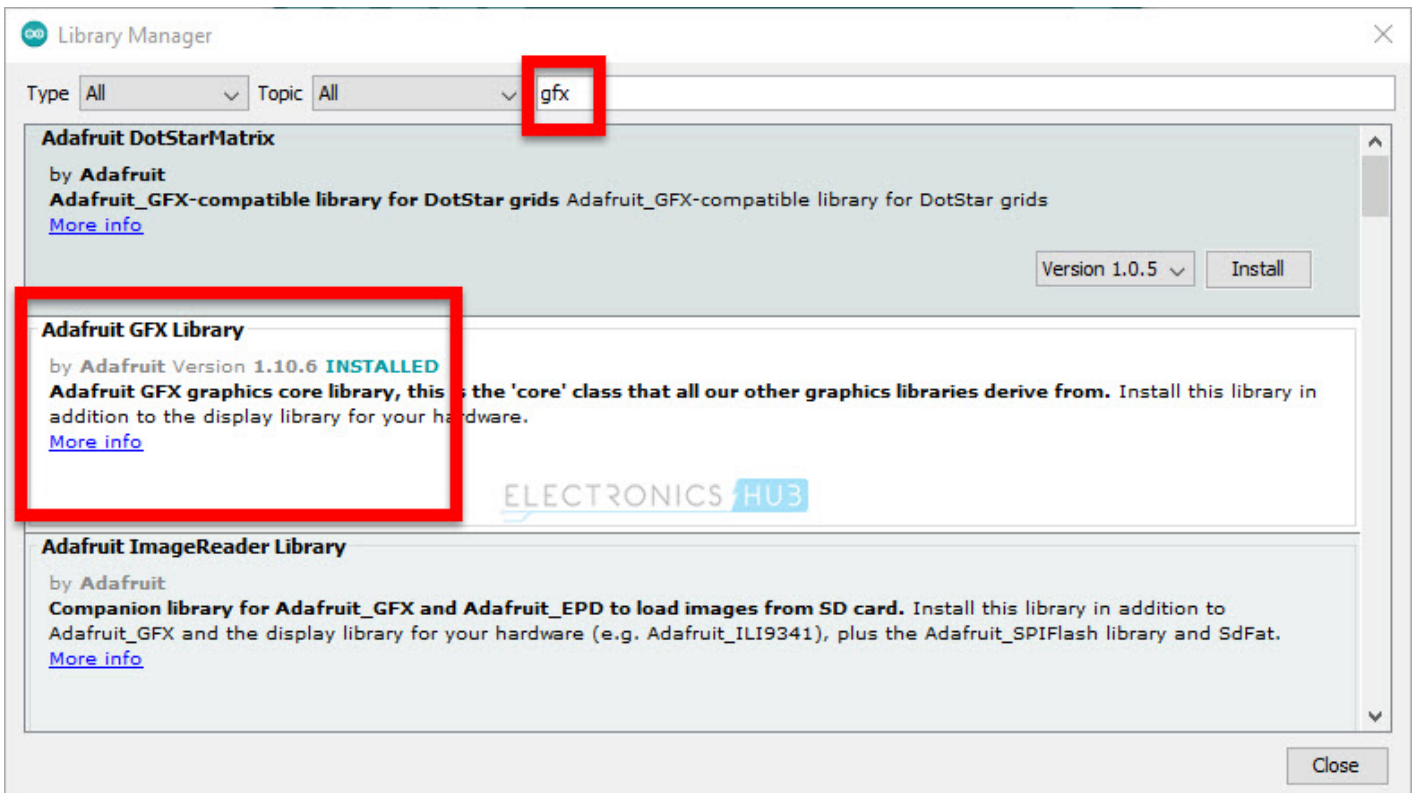
Arduino-IDE-OLED-Library-1

A Library Manager window will pop-up. In the search bar, type "ssd1306" and from the results select the "Adafruit SSD1306" option and click on install. This library is written specifically for monochrome OLED Displays based on SSD1306 Driver IC. The supported resolutions are 128 x 32 and 128 x 64.



Arduino-IDE-OLED-Library-2

After installing SSD1306 Library, search for “gfx” and install “Adafruit GFX Library”. This is a graphics library by Adafruit for displaying basic graphics like lines, circles, rectangles etc.



Arduino-IDE-OLED-Library-3

0x02, 0x04, 0x04, 0x06, 0xc1, 0x01, 0x84, 0xc2, 0x11, 0x0d, 0x8a, 0x0f, 0xbd, 0xbd, 0xf3,
0x80,
0x02, 0x04, 0x04, 0x04, 0x61, 0x00, 0x88, 0x42, 0x11, 0x08, 0x8a, 0x0f, 0xbd, 0xbd, 0xfb,
0x80,
0x02, 0x04, 0x04, 0x0c, 0x21, 0x00, 0x88, 0x43, 0x11, 0x10, 0x08, 0x0f, 0xbd, 0xbd, 0xfb,
0x80,
0x02, 0x04, 0x04, 0x08, 0x01, 0x00, 0x88, 0x23, 0x11, 0x10, 0x08, 0x0f, 0xbd, 0xbd, 0xfb,
0x80,
0x02, 0x04, 0x04, 0x08, 0x01, 0x00, 0x88, 0x23, 0x11, 0x10, 0x08, 0x0f, 0xbd, 0xbd, 0xfb,
0x80,
0x02, 0x04, 0x04, 0x08, 0x01, 0x00, 0x90, 0x23, 0x11, 0x10, 0x08, 0x0f, 0xbd, 0xbd, 0xfb,
0x80,
0x02, 0x04, 0x04, 0x08, 0x01, 0x00, 0x90, 0x22, 0x91, 0x10, 0x08, 0x0f, 0xbd, 0xbd, 0xf7,
0x80,
0x02, 0x04, 0x04, 0x08, 0x01, 0x00, 0x90, 0x22, 0x91, 0x10, 0x0e, 0x0f, 0xbd, 0xbd, 0xc7,
0x80,
0x03, 0x84, 0x07, 0x08, 0x01, 0x00, 0x90, 0x22, 0x91, 0x10, 0x06, 0x0f, 0x81, 0xbd, 0xc7,
0x80,
0x03, 0x84, 0x07, 0x08, 0x01, 0x07, 0x90, 0x22, 0xd1, 0x10, 0x03, 0x0f, 0x81, 0xbd, 0xf7,
0x80,
0x02, 0x04, 0x04, 0x08, 0x01, 0x07, 0x10, 0x22, 0x51, 0x10, 0x01, 0x0f, 0xbd, 0xbd, 0xfb,
0x80,
0x02, 0x04, 0x04, 0x08, 0x01, 0x06, 0x10, 0x22, 0x51, 0x10, 0x01, 0x0f, 0xbd, 0xbd, 0xfb,
0x80,
0x02, 0x04, 0x04, 0x08, 0x01, 0x02, 0x10, 0x22, 0x51, 0x10, 0x01, 0x0f, 0xbd, 0xbd, 0xfb,
0x80,
0x02, 0x04, 0x04, 0x08, 0x01, 0x02, 0x08, 0x22, 0x31, 0x10, 0x01, 0x0f, 0xbd, 0xbd, 0xfb,
0x80,
0x02, 0x04, 0x04, 0x08, 0x01, 0x01, 0x08, 0x22, 0x31, 0x10, 0x01, 0x0f, 0xbd, 0xbd, 0xfb,
0x80,
0x02, 0x04, 0x04, 0x0c, 0x21, 0x01, 0x08, 0x42, 0x31, 0x10, 0x01, 0x0f, 0xbd, 0xdb, 0xfb,
0x80,
0x02, 0x04, 0x04, 0x04, 0x61, 0x01, 0x88, 0x42, 0x31, 0x08, 0x99, 0x0f, 0xbd, 0xdb, 0xf3,
0x80,
0x02, 0x04, 0x04, 0x06, 0xc1, 0x00, 0x84, 0xc2, 0x11, 0x0d, 0x8b, 0x0f, 0xbd, 0xc3, 0xc7,
0x80,
0x03, 0xe7, 0xc7, 0xc3, 0xc1, 0x00, 0x87, 0x82, 0x11, 0x07, 0x8e, 0x0f, 0xbd, 0xe7, 0xc7,
0x80,
0x03, 0xe7, 0xc7, 0xc3, 0x81, 0x00, 0x83, 0x02, 0x11, 0x07, 0x06, 0x0f, 0xff, 0xff, 0xff,
0x80,


```

    0x00, 0x00, 0x00, 0x00, 0x00, 0x00, 0x00, 0x00, 0x00, 0x00, 0x00, 0x00, 0x00, 0x00, 0x00,
0x00,
    0x00, 0x00, 0x00, 0x00, 0x00, 0x00, 0x00, 0x00, 0x00, 0x00, 0x00, 0x00, 0x00, 0x00, 0x00,
0x00,
    0x00, 0x00, 0x00, 0x00, 0x00, 0x00, 0x00, 0x00, 0x00, 0x00, 0x00, 0x00, 0x00, 0x00, 0x00,
0x00
};

void setup()
{
    Serial.begin(115200);
    if(!display.begin(SSD1306_SWITCHCAPVCC))
    {
        Serial.println(F("SSD1306 allocation failed"));
        for(;;);
    }

    display.clearDisplay();
    display.display();
    delay(1000);

    display.clearDisplay();
    display.drawBitmap(0, 0, electronicshub_logo, SCREEN_WIDTH, SCREEN_HEIGHT, SSD1306_WHITE);
    display.display();
    delay(1000);

}

void loop()
{
    AllPixels();
    TextDisplay();
    InvertedTextDisplay();
    ScrollText();
    DisplayChars();
    TextSize();
    DrawRectangle();
    DrawFilledRectangle();
    DrawRoundRectangle();
    DrawFilledRoundRectangle();
}

```

```
DrawCircle();
DrawFilledCircle();
DrawTriangle();
DrawFilledTriangle();
}

void AllPixels()
{
    int i;
    int j;
    display.clearDisplay();
    for(i=0;i<64;i++)
    {
        for(j=0;j<128;j++)
        {
            display.drawPixel(j, i, SSD1306_WHITE);

        }
        display.display();
        delay(30);
    }

    for(i=0;i<64;i++)
    {
        for(j=0;j<128;j++)
        {
            display.drawPixel(j, i, SSD1306_BLACK);

        }
        display.display();
        delay(30);
    }

}

void TextDisplay()
{
    display.clearDisplay();
    display.setTextSize(1);
    display.setTextColor(SSD1306_WHITE);
```

```
display.setCursor(5,28);
display.println("Electronics Hub");
display.display();
delay(3000);
}

void InvertedTextDisplay()
{
display.clearDisplay();
display.setTextColor(SSD1306_BLACK, SSD1306_WHITE);
display.setCursor(5,28);
display.println("Electronics Hub");
display.display();
delay(3000);
}

void ScrollText()
{
display.clearDisplay();
display.setCursor(0,0);
display.setTextSize(1);
display.setTextColor(SSD1306_WHITE);
display.println("This is a");
display.println("Scrolling");
display.println("Text!");
display.display();
delay(100);
display.startscrollright(0x00, 0x0F);
delay(2000);
//display.stopscroll();
//delay(1000);
display.startscrollleft(0x00, 0x0F);
delay(2000);
//display.stopscroll();
//delay(1000);
display.startscrollldiagright(0x00, 0x0F);
delay(2000);
display.startscrollldiagleft(0x00, 0x0F);
delay(2000);
display.stopscroll();
```

```
}

void DisplayChars()
{
    display.clearDisplay();

    display.setTextSize(1);
    display.setTextColor(SSD1306_WHITE);
    display.setCursor(0, 0);
    display.cp437(true);

    for(int16_t i=0; i<256; i++)
    {
        if(i == '\n')
        {
            display.write(' ');
        }
        else
        {
            display.write(i);
        }
    }

    display.display();
    delay(4000);
}

void TextSize()
{
    display.clearDisplay();

    display.setTextSize(1);
    display.setTextColor(SSD1306_WHITE);
    display.setCursor(0,0);
    display.println(F("Size: 1"));
    display.println(F("ABC"));

    display.setTextSize(2);
    display.setTextColor(SSD1306_WHITE);
    display.println("Size: 2");
    display.println(F("ABC"));
}
```

```
display.display();
delay(3000);
}

void DrawRectangle()
{
display.clearDisplay();
display.setTextSize(1);
display.setTextColor(WHITE);
display.setCursor(0,0);
display.println("Rectangle");
display.drawRect(0, 15, 90, 45, SSD1306_WHITE);
display.display();
delay(2000);
}

void DrawFilledRectangle()
{
display.clearDisplay();
display.setTextSize(1);
display.setTextColor(WHITE);
display.setCursor(0,0);
display.println("Filled Rectangle");
display.fillRect(0, 15, 90, 45, SSD1306_WHITE);
display.display();
delay(2000);
}

void DrawRoundRectangle()
{
display.clearDisplay();
display.setTextSize(1);
display.setTextColor(SSD1306_WHITE);
display.setCursor(0,0);
display.println("Round Rectangle");
display.drawRoundRect(0, 15, 90, 45, 10, SSD1306_WHITE);
display.display();
delay(2000);
}
```

```
}

void DrawFilledRoundRectangle()
{
    display.clearDisplay();
    display.setTextSize(1);
    display.setTextColor(SSD1306_WHITE);
    display.setCursor(0,0);
    display.println("Filled Round Rect");
    display.fillRoundRect(0, 15, 90, 45, 10, SSD1306_WHITE);
    display.display();
    delay(2000);
}

void DrawCircle()
{
    display.clearDisplay();
    display.setTextSize(1);
    display.setTextColor(SSD1306_WHITE);
    display.setCursor(0,0);
    display.println("Circle");
    display.drawCircle(30, 36, 25, SSD1306_WHITE);
    display.display();
    delay(2000);
}

void DrawFilledCircle()
{
    display.clearDisplay();
    display.setTextSize(1);
    display.setTextColor(SSD1306_WHITE);
    display.setCursor(0,0);
    display.println("Filled Circle");
    display.fillCircle(30, 36, 25, SSD1306_WHITE);
    display.display();
    delay(2000);
}

void DrawTriangle()
```

```
{
  display.clearDisplay();
  display.setTextSize(1);
  display.setTextColor(SSD1306_WHITE);
  display.setCursor(0,0);
  display.println("Triangle");
  display.drawTriangle(30, 15, 0, 60, 60, 60, SSD1306_WHITE);
  display.display();
  delay(2000);
}

void DrawFilledTriangle()
{
  display.clearDisplay();
  display.setTextSize(1);
  display.setTextColor(SSD1306_WHITE);
  display.setCursor(0,0);
  display.println("Filled Triangle");
  display.fillTriangle(30, 15, 0, 60, 60, 60, SSD1306_WHITE);
  display.display();
  delay(2000);
}
```

Conclusion

A simple tutorial on how to interface SPI OLED Display Module with ESP32 DevKit Board. You learned the pinout of SSD1306 OLED Display, necessary connections for SPI Interface with ESP32, download libraries for Arduino IDE and display some text, graphics and image on the OLED Display using ESP32.

Related Posts:

How to Interface OLED Display with NodeMCU ESP8266? OLED Display Technology Interfacing I2C LCD with ESP32 | ESP32 I2C LCD Tutorial ESP32 BMP180 Sensor Tutorial | How to Interface... ESP32 DS18B20 Tutorial | DS18B20 Temperature Sensor... ESP32 DHT11 Tutorial | DHT11 Humidity Temperature...

Revision #3

Created 2024-09-15 14:07:21 UTC by gasick

Updated 2024-09-18 17:14:36 UTC by gasick